

KALLISTA® Deck-Mounted Bath Set with Diverter

INSTALLATION INSTRUCTIONS

P24703

INSTALLATION INSTRUCTIONS

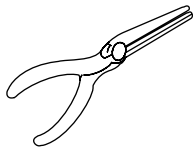
THANK YOU FOR CHOOSING KALLISTA

We appreciate your commitment to KALLISTA quality products. Please take a moment to review this manual before you install your KALLISTA product. If you encounter any installation or performance problems, please do not hesitate to contact us at the phone number listed at the bottom of the page.

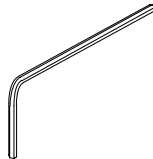
BEFORE YOU BEGIN

- Observe all local plumbing and building codes.
- Shut off the water supply.
- Install the required valve P19304-00-NA prior to installing the product. Refer to the installation instructions packed with the valves.
- KALLISTA reserves the right to make revisions in the design of products without notice, as specified in the Price Book.

TOOLS AND MATERIALS



Pliers

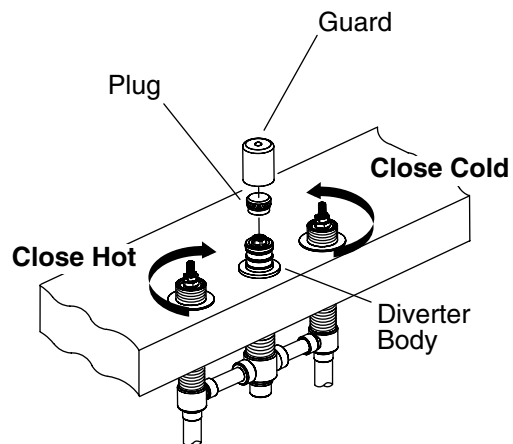


5/32" Hex Wrench



Plumbers Putty

Plus:
• Rags

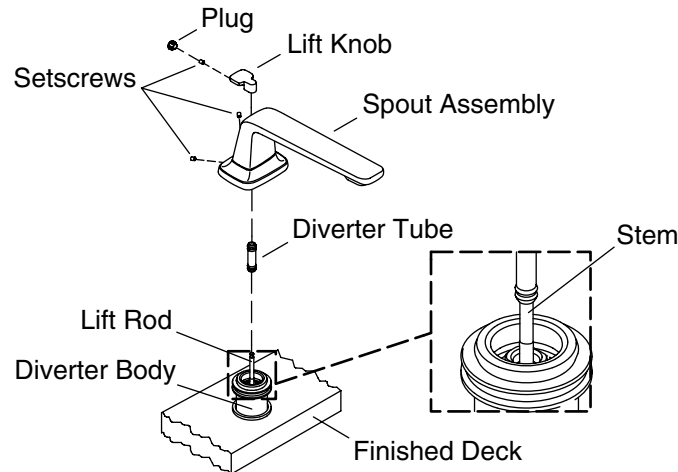
INSTALLATION INSTRUCTIONS**REMOVE THE GUARD AND THE PLUG**

- Make sure the valves are closed (cold = fully counterclockwise; hot = fully clockwise).
- Turn off the water supply.
- Remove and discard the guard.

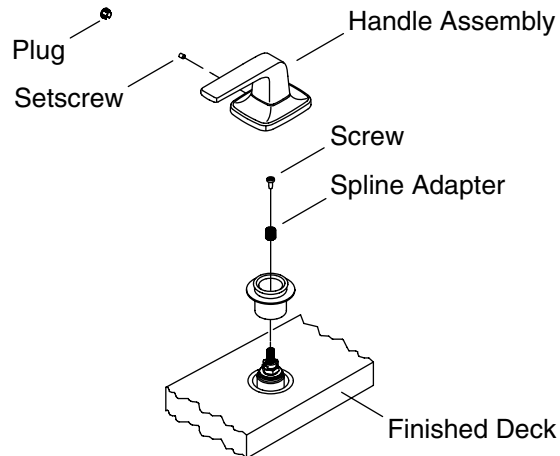
⚠ CAUTION: Risk of personal injury. Do not lean over the pipe plug when turning or removing the pipe plug. The water supply lines may be pressurized, causing water to spray or purge when removing the pipe plug.

NOTICE: Water may spray from the diverter body when you remove the plug.

- Wrap a rag around the plug to prevent water spray.
- Carefully remove and discard the plug.

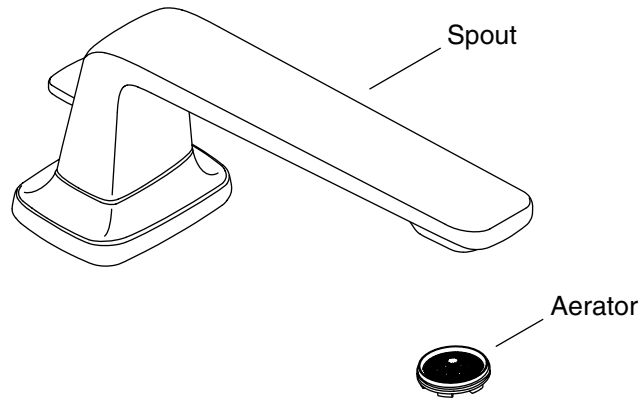
INSTALLATION INSTRUCTIONS**INSTALL THE SPOUT**

- NOTICE:** To avoid damage to the O-ring on the diverter body, keep the diverter tube clean.
- Lift up and hold the stem of the diverter body with a pair of pliers, then fully insert the lift rod.
- Install the diverter tube over the lift rod and into the diverter body.
- Loosen the setscrews on the spout assembly until it is clear of the inside wall of the spout.
- Apply a ring of plumbers putty or other sealant around the underside of the spout base according to the sealant manufacturer's instructions.
- Position the spout over the diverter tube, then carefully press down until the spout contacts the finished deck.
- Rotate the spout until it is aligned to face straight forward.
- Retighten the setscrews.
- Push the plugs into place over the setscrews.
- Install the lift knob onto the lift rod.
- Remove any excess plumbers putty or sealant.

INSTALLATION INSTRUCTIONS**INSTALL THE HANDLES**

NOTE: The lever handles should be perpendicular with the spout when in the closed position.

- Place a spline adapter onto the valve. Make sure that the valve is in the "OFF" position.
- Install a handle assembly over the spline adapter, and check the alignment. Remove and reposition the handle if necessary, until it is perpendicular with the spout.
- Remove the handle assembly and securely tighten the spline adapter with a screw.
- Apply a bead of plumbers putty around the base of the handle escutcheon according to the putty manufacturer's instructions.
- With the setscrew hole facing the wall, fit the handle assemblies over the valve.
- Tighten the handles with the setscrews.
- Press the plugs over the setscrews.
- Remove any excess plumbers putty or sealant.

INSTALLATION INSTRUCTIONS**COMPLETE THE INSTALLATION**

- Ensure that both handles are turned off (cold = counterclockwise, hot = clockwise).
- Make sure that all connections are tight.
- Remove the aerator.
- Turn on the water supply and check for leaks.
- Turn on the hot and cold valves and run water through the spout to remove debris. Check for leaks.
- Confirm proper diverter operation.
- Turn the handles to the "OFF" position and then back to the "ON" position. Verify that the water flow is diverted back to the spout.
- Turn the handles to the "OFF" position.
- Remove any debris from the aerator.
- Reinstall the aerator.